

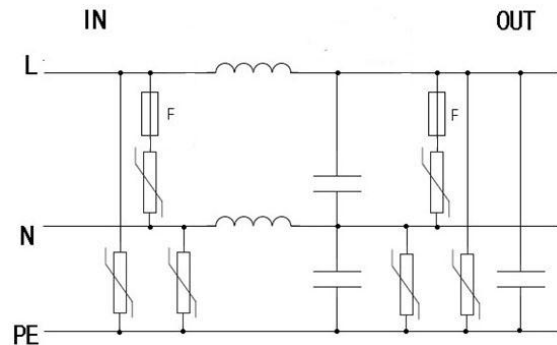
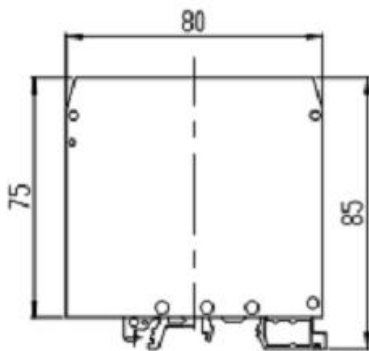
# POWER SUPPLY

## Single phase 10A Surge Filter Class III/Type 3

■Type 3 ■2-Port SPD ■10A filter ■ I<sub>max</sub> 10kA ■DIN-Rail

### DSF Series, DSF10/...-10A/3P/C-S

- Multi-stage protection circuit with LC Filter design to protect sensitive electronics.
- Provides extensive high frequency & RF filtering
- Application for 120~127V, 220~277V (L-N) TT/TN, or any 1-phase system with a grounded neutral
- Rated Load current 10A
- Built-in backup fuse for over- current protection
- All mode protection
- DIN-Rail mounting
- LED failure indication
- Comply with UL1449 4th, IEEE C62.41, CSA C22.2,IEC/EN 61643-11



Model		DSF10/175-10A/3P/C	DS10/320-10A/3P/C	
According to		IEC61643-11; UL1449-4th; IEC610006; ANSI/IEEE C62.41; AS1768-1991;AS3100		
Category IEC/EN/UL		Class III/ Type 3 / Type		
Protection Mode		All mode protection		
Protection technology		MOV tech, Thermal protection LC filter, Built-in backup fuse		
Power system	U <sub>n</sub>	120-127V single phase	220-277V single phase	
Max. continuous operating voltage (AC/DC)	U <sub>c</sub>	175/230	320/420	
Rated load Current	I <sub>l</sub>	10A		
Nominal discharge current(8/20)	I <sub>n</sub>	5kA		
Max. discharge current(8/20)	I <sub>max</sub>	10kA		
Voltage impulse (1.2/50us)	U <sub>oc</sub>	10kV		
Total surge capacity per Line (8/20us)	I <sub>total</sub>	40kA		
Voltage protection level	L-N @6kV/3kA	V <sub>PR</sub>	<0.7kV	<1.0kV
	L-N @I <sub>n</sub>	U <sub>p</sub>	<0.8kV	<1.2kV
Residual Current	I <sub>PE</sub>	<1mA		
Voltage drop:		< 2V at rated load current		

## POWER SUPPLY

Temporary overvoltage TOV —Withstand mode	U <sub>toV</sub>	195V/5s	370V/5s
Response time	T <sub>a</sub>	<5ns	
Filter attenuation	dB	>40dB @ 1MHz	
Recommended external over current protection in series		10A Fuse or CB	
Protect Status Indication		LED Alarm, Green - Normal, LED off - fail	
Connecting cable		multi-strand 2.5mm <sup>2</sup>	
Environment		Temperature Range: - 10°C ~ +60°C Humidity: ≤95% Altitude: ≤2000m	
Mounting		35mm DIN-rail in accordance with EN 50022/DIN46277-3	
Location Category		Indoor	
Degree of protection		IP20	
Dimension		80(L)×25(W)×85(H) approx	
Weight		- approx	
Approvals, Certification	,	CE	